

4

3

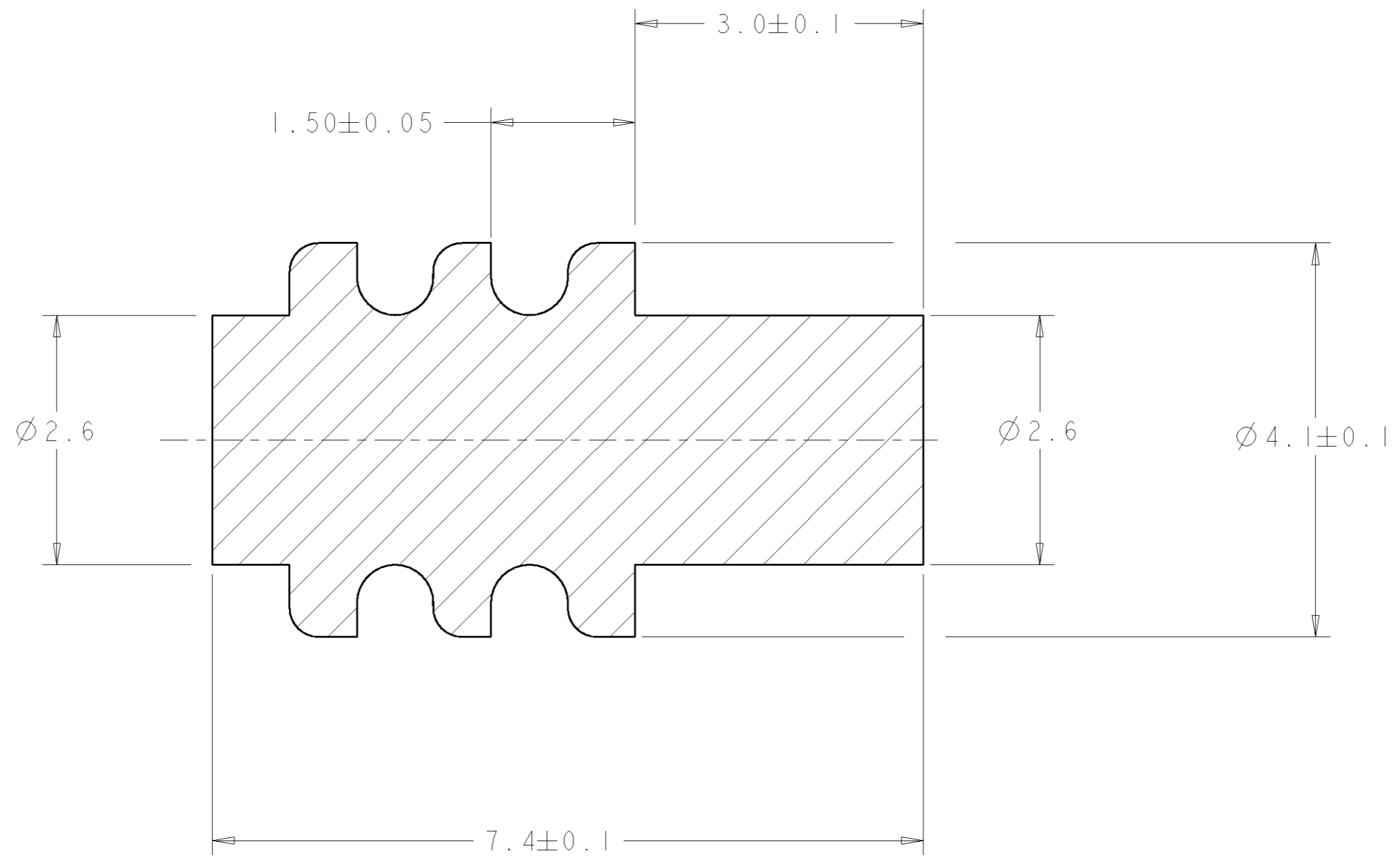
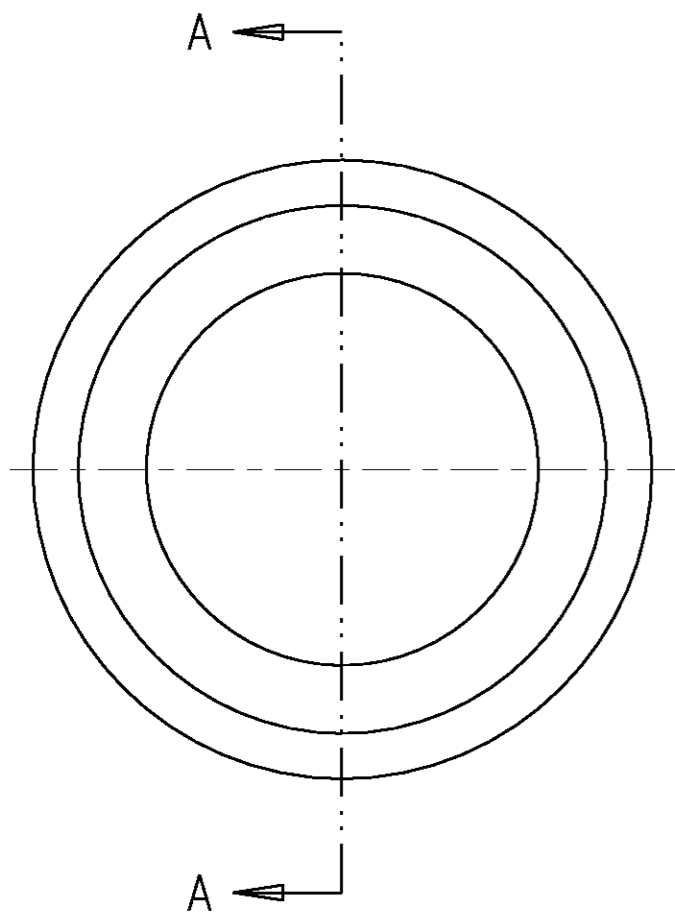
2

1

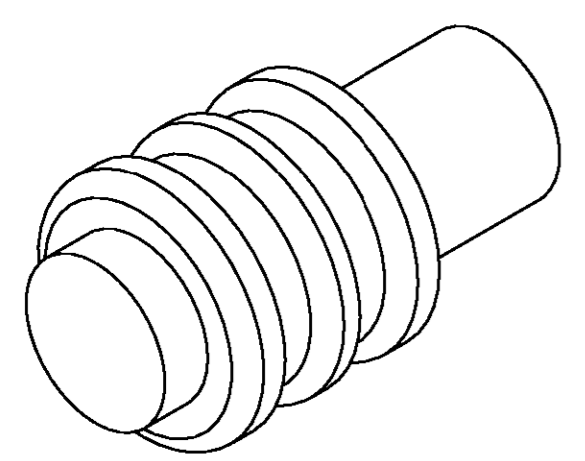
THIS DRAWING IS UNPUBLISHED. RELEASED FOR PUBLICATION 20
 © COPYRIGHT 20 BY TYCO ELECTRONICS CORPORATION. ALL RIGHTS RESERVED.

LOC	DIST	REVISIONS					
CM	00	P	LTR	DESCRIPTION	DATE	DWN	APVD
		B		REVISED PER 063B-0478-03	06-JUN-03	KW	CJ

△ MATERIAL: SILICON RUBBER, BLACK.



SECTION A-A



3 DIMENSIONAL VIEW
SCALE 10:1

METRIC

794995-1
PART NUMBER

<small>THIS DRAWING IS A CONTROLLED DOCUMENT FOR TYCO ELECTRONICS CORPORATION. IT IS SUBJECT TO CHANGE AND THE CONTROLLING ENGINEERING ORGANIZATION SHOULD BE CONTACTED FOR THE LATEST REVISION.</small>		DWN 21-NOV-2001 K. WHITAKER CHK 21-NOV-2001 C. JONES APVD 21-NOV-2001 C. JONES	tyco Electronics Tyco Electronics Harrisburg, PA 17105-3608
DIMENSIONS: mm 	TOLERANCES UNLESS OTHERWISE SPECIFIED: 0 PLC ± 1 PLC ±.2 2 PLC ± 3 PLC ± 4 PLC ± ANGLES ±° FINISH	PRODUCT SPEC APPLICATION SPEC WEIGHT CUSTOMER DRAWING	NAME SINGLE CAVITY PLUG SEAL, MINI UNIVERSAL MATE-N-LOK™ SIZE A2 CAGE CODE 00779 DRAWING NO. 794995 RESTRICTED TO
SCALE 20:1		SHEET 1 OF 1 REV B	